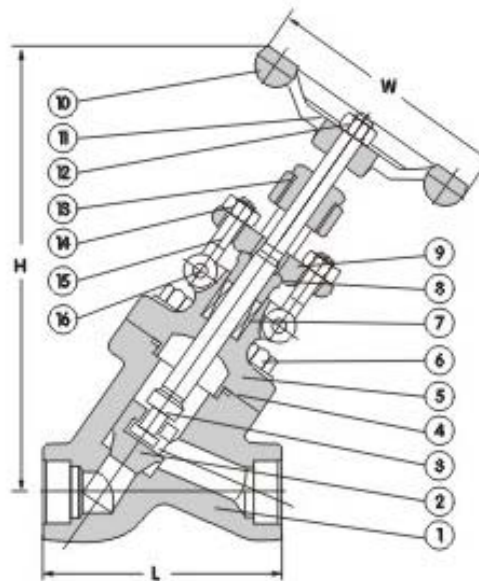




# Y-Pattern Globe Valve 800Lb



**Eg.FIG.YL8P4Y**

## Y-Pattern Globe Valve 800Lb

### Standard Material Specifications

NO.	Part Name	CS to ASTM	AS to ASTM	SS to ASTM	
		Type A105	Type F22	Type F304(L)	Type F316(L)
1	Body	A105	A182 F22	A182 F304(L)	A182 F316(L)
2	Disc	A276 420	A276 304	A276 304(L)	A276 316(L)
3	Stem	A182 F6	A182 F304	A182 F304(L)	A182 F316(L)
4	Gasket	Corrugated SS + graphite		SS + PTFE	
5	Bonnet	A105	A276 304	A276 304(L)	A276 316(L)
6	Bonnet Bolt	A193 B7	A193 B16	A193 B8	A193 B8M
7	Stem Packing	Flexible Graphite		PTFE	
8	Gland	A276 410		A182 F304(L)	A182 F316(L)
9	Gland Flange	A216 WCB		A351 CF8	
10	Hand wheel	A197			
11	Nameplate	SS			
12	H.W. Nut	A194 2H	A194 4	A194 8	A194 8M
13	Yoke Nut	A276 410			
14	Gland Nut	A194 2H	A194 4	A194 8	A194 8M
15	Gland Eyebolt	A193 B7	A193 B16	A193 B8	A193 B8M
16	Pin	A276 420		A276 304	
	Suitable Medium	W.O.G. etc	W.O.G. etc	HNO <sub>3</sub> , CH <sub>3</sub> OOH etc	
	Suitable Temperature	-29 425	-29 550	-29 180	

Note: Other materials are available upon request.



BIAOYI

## Y-Pattern Globe Valve 800Lb

Y-Pattern Globe Valve 800Lb

Dimensions (mm) and Weights (Kg)

NPS	1/2~	3/4~	1~	1-1/4~	1-1/2~	2~
L	98	111	120	140	140	170
H(OPEN)	175	215	254	305	305	365
W	100	125	160	160	180	200
Weights	5	6.3	7.6	9.8	13.8	14.0