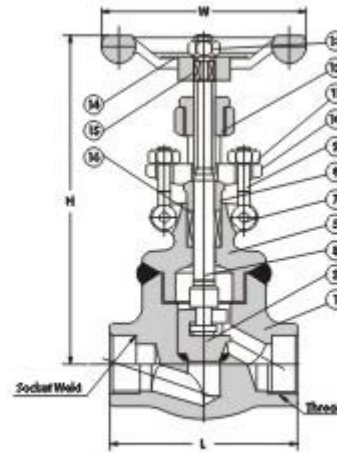


**Eg.FIG.L8C<sub>4</sub>Y**



**Eg.FIG.WL8C<sub>4</sub>Y**

Globe Valve 800Lb

Standard Material Specifications

NO.	Part Name	CS to ASTM	AS to ASTM	SS to ASTM	
		Type A105	Type F22	Type F304(L)	Type F316(L)
1	Body	A105	A182 F22	A182 F304(L)	A182 F316(L)
2	Disc	A276 420	A276 304	A276 304(L)	A276 316(L)
3	Stem	A182 F6	A182 F304	A182 F304(L)	A182 F316(L)
4	Gasket	Corrugated SS + graphite		SS + PTFE	
5	Bonnet	A105	A276 304	A276 304(L)	A276 316(L)
6	Bonnet Bolt	A193 B7	A193 B16	A193 B8	A193 B8M
7	Pin	A276 420		A276 304	
8	Gland	A276 410		A182 F304(L)	A182 F316(L)
9	Gland Eyebolt	A193 B7	A193 B16	A193 B8	A193 B8M
10	Gland Flange	A216 WCB		A351 CF8	
11	Gland Nut	A194 2H	A194 4	A194 8	A194 8M
12	Yoke Nut	A276 410			
13	H.W. Nut	A194 2H	A194 4	A194 8	A194 8M
14	Nameplate	SS			
15	Hand wheel	A197			
16	Stem Packing	Flexible Graphite		PTFE	
	Suitable Medium	W.O.G .etc	W.O.G. etc	HNO <sub>3</sub> CH <sub>3</sub> OOH etc	
	Suitable Temperature	-29 425	-29 550	-29 180	

Note: Other materials are available upon request.



**BIAOYI**

Globe Valve 800Lb

Globe Valve 800Lb

Dimensions (mm) and Weights (Kg)

NPS	Conv.	3/8	1/2	3/4	1	1-1/4	1-1/2	2	
	Full		3/8	1/2	3/4	1	1-1/4	1-1/2	2
L		79	79	92	111	120	152	172	200
H(OPEN)		166	166	171	207	240	258	330	355
W		100	100	100	125	160	160	180	200
Weights	Bolted	1.9	1.9	2.1	3.5	6.0	7.5	11.4	14.6
	Welded	1.7	1.7	1.9	3.3	5.2	6.8	10.6	13.8