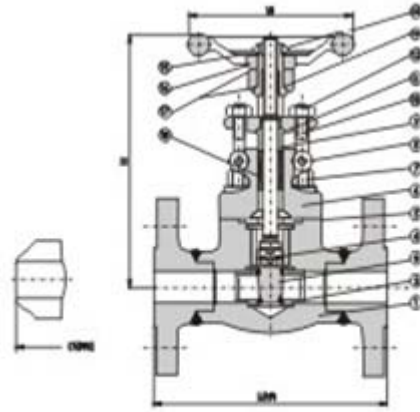




Flanged End Globe Valve 150Lb~600Lb Steel



Eg.FIG.L6C1H

Flanged End Globe Valve 150Lb 600Lb Steel

Standard Material Specifications

NO.	Part Name	CS to ASTM	AS to ASTM	SS to ASTM	
		Type A105	Type F22	Type F304(L)	Type F316(L)
1	Body	A105	A182 F22	A182 F304(L)	A182 F316(L)
2	Gasket	Corrugated SS + graphite		SS + PTFE	
3	Bonnet Bolt	A193 B7	A193 B16	A193 B8	A193 B8M
4	Pin	A276 420		A276 304	
5	Gland	A276 410		A182 F304(L)	A182 F316(L)
6	Gland Eyebolt	A193 B7	A193 B16	A193 B8	A193 B8M
7	Gland Nut	A194 2H	A194 4	A194 8	A194 8M
8	Yoke Nut	A276 410			
9	H.W. Nut	A194 2H	A194 4	A194 8	A194 8M
10	Nameplate	SS			
11	Hand wheel	A197			
12	Gland Flange	A216 WCB		A351 CF8	
13	Stem Packing	Flexible Graphite		PTFE	
14	Bonnet	A105	A276 304	A182 F304(L)	A182 F316(L)
15	Stem	A182 F6	A182 F304	A182 F304(L)	A182 F316(L)
16	Disc	A276 420	A276 304	A276 304(L)	A273 316(L)
Suitable Medium		W.O.G. etc	W.O.G. etc	HNO ₃ ,CH ₃ OOH etc	
Suitable Temperature		-29 425	-29 550	-29 180	

Note: Other materials are available upon request.

Web-site: www.valve-made.com E-mail: sales@valve-made.com



Flanged End Globe Valve 150Lb~600Lb Steel

Flanged End Globe Valve 150Lb 600Lb Steel

Dimensions (mm) and Weights (Kg)

NPS		1/2	3/4	1	1-1/4	1-1/2	2	
L(RF)L1(BW)	150	108	117	127	140	165	203	
	300	152	178	203	216	229	267	
	600	165	190	216	229	241	292	
H(OPEN)	150,300	166	171	207	240	258	330	
	600	171	207	240	258	330	380	
W		100	100	125	160	160	180	
Weights	150	RF	4.5	6.9	9.8	13.5	19.5	28.0
		BW	2.3	3.6	7.8	8.2	12.0	15.0
	300	RF	4.8	7.7	11.0	16.8	21.2	32.6
		BW	2.8	4.0	8.5	9.2	12.6	16.8
	600	RF	5.6	7.8	12.5	17.0	23.5	38.8
		BW	3.4	4.7	9.2	10.5	13.3	18.9

Note: Other materials are available upon request.

Web-site: www.valve-made.com E-mail: sales@valve-made.com