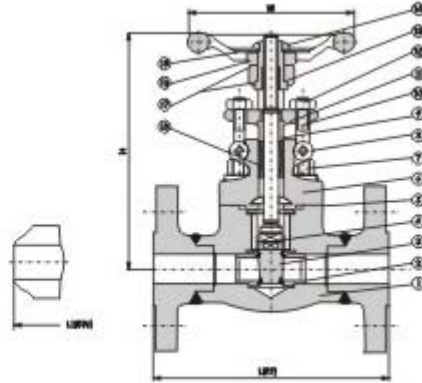




Flanged End Gate Valve 150Lb~600Lb



Eg.FIG.G6C1H

Flanged End Gate Valve 150Lb~600Lb

Standard Material Specifications

NO.	Part Name	CS to ASTM	AS to ASTM	SS to ASTM	
		Type A105	Type F22	Type F304(L)	Type F316(L)
1	Body	A105	A182 F22	A182 F304(L)	A182 F316(L)
2	Seat Ring	A276 420	A276 304	A276 304(L)	A276 316(L)
3	Wedge	A276 410 & 430	A182 F304	A182 F304(L)	A182 F316(L)
4	Stem	A182 F6	A182 F304	A182 F304(L)	A182 F316(L)
5	Gasket	Corrugated SS + graphite		SS + PTFE	
6	Bonnet	A105	A182 F22	A182 F304(L)	A182 F316(L)
7	Bonnet Bolt	A193 B7	A193 B16	A193 B8	A193 B8M
8	Pin	A276 420		A276 304	
9	Gland	A276 410		A182 F304(L)	A182 F316(L)
10	Gland Eyebolt	A193 B7	A193 B16	A193 B8	A193 B8M
11	Gland Flange	A105	A182 F11	A182 F304(L)	A182 F316(L)
12	Gland Nut	A193 2H	A194 4	A194 8	A194 8M
13	Yoke Nut	A276 410			
14	H.W. Lock Nut	A194 2H	A194 4	A194 8	A194 8M
15	Nameplate	SS			
16	Hand wheel	A197			
17	Bearing Gasket	A473 431			
18	Stem Packing	Flexible Graphite		PTFE	
Suitable Medium		W.O.G. etc	W.O.G. etc	HNO3CH3OOH etc	
Suitable Temperature		-29 425	-29 550	-29 180	

Note: Other materials are available upon request.



BIAOYI

Flanged End Gate Valve 150Lb~600Lb

Flanged End Gate Valve 150Lb~600Lb

Dimensions (mm) and Weights (Kg)

NPS		1/2	3/4	1	1/4	1-1/2	2	
L(RF)L1(BW)	150	108	117	127	140	165	203	
	300	140	152	165	178	190	216	
	600	165	190	216	229	241	292	
H(OPEN)	150,300	158	169	197	236	246	283	
	600	169	197	236	246	283	320	
W		100	100	125	160	160	180	
Weights	150	RF	4.5	5.2	8.2	11.5	20.3	
		BW	2.8	3.3	5.4	7.1	12.5	
	300	RF	4.8	6.2	9.3	14	15.5	23.4
		BW	3.5	4.4	6.8	8.1	9.2	15.4
	600	RF	5.9	7.4	10.4	16.2	17.5	28.3
		BW	4.5	5.1	8.2	10.5	12.4	20.1