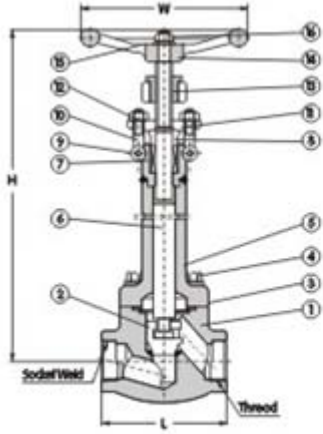


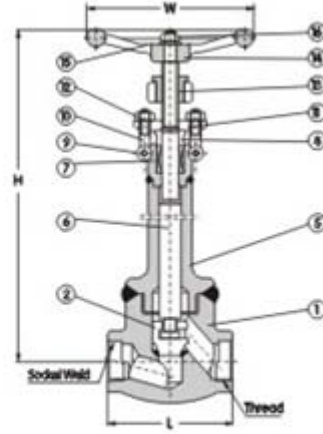


BIAOYI

Cryogenic Globe Valve 800Lb



Eg.FIG.CL8C3Y



Eg.FIG.WCL8C3Y

Cryogenic Globe Valve 800Lb Standard Material Specifications

NO.	Part Name	AS to ASTM		SS to ASTM	
		Type A350 LF2	Type A350 LF3	Type A182 F304	Type A182 F316(L)
1	Body	A350 LF2	A350 LF3	A182 F304(L)	A182 F316(L)
2	Disc	A276 410	A276 304(L)	A276 304(L)	A276 316(L)
3	Bonnet	A350 LF2	A350 LF3	A182 F304(L)	A182 F316(L)
4	Gasket	Corrugated SS + graphite		SS + PTFE	
5	Bold Nut	A193 B7	A193 B7	A193 B8	A193 B8M
6	Stem	A182 F6	A182 F6	A182 F304(L)	A182 F316(L)
7	Stem Packing	Flexible graphite		PTFE	
8	Gland	A276 420		A182 F304	
9	Pin	A276 420		A182 F304	
10	Gland Eyebolt	A193 B7	A193 B16	A193 B8	A193 B8M
11	Gland Flange	A216 WCB		A351 CF8	
12	Gland Nut	A194 2H	A194 4	A194 8	A194 8M
13	Yoke Nut	A276 410			
14	Hand wheel	A197			
15	Nameplate	SS			
16	H.W. Nut	A194 2H	A194 4	A194 8	A194 8M
Suitable Temperature		40	101	196	

Note: Other materials are available upon request.



BIAOYI

Cryogenic Globe Valve 800Lb

Cryogenic Globe Valve 800Lb

Dimensions (mm) and Weights (Kg)

NPS	3/8	1/2	3/4	1	1-1/4	1-1/2	2	
L	79	92	111	120	120	172	200	
H(OPEN)	333	337	370	480	410	474	546	
W	100	100	125	160	160	180	200	
Weights	Bolted	5.2	7.2	10.9	13.5	15.2	19.8	29.0
	Welded	4.8	6.5	9.5	11.5	13.1	17.5	26.8