



# C5000 Din Dual Plate Check Valve



## Dual Plate Check Valve

Figure: C5000

Size : 2"-24"

Design Standard : API 594

Face to Face : API 594

Flange Drilling : ANSI B16.5、API 605

## Specification

Design standard:API 594,API 6D

Face to face:API594,API6D

Pipe flange:ANSI B16.5,API 605,

ASME B16.47

Testing&inspection:API 598

Pressure-temperature rating:ANSI B 16.34

Type of connection:Wafer

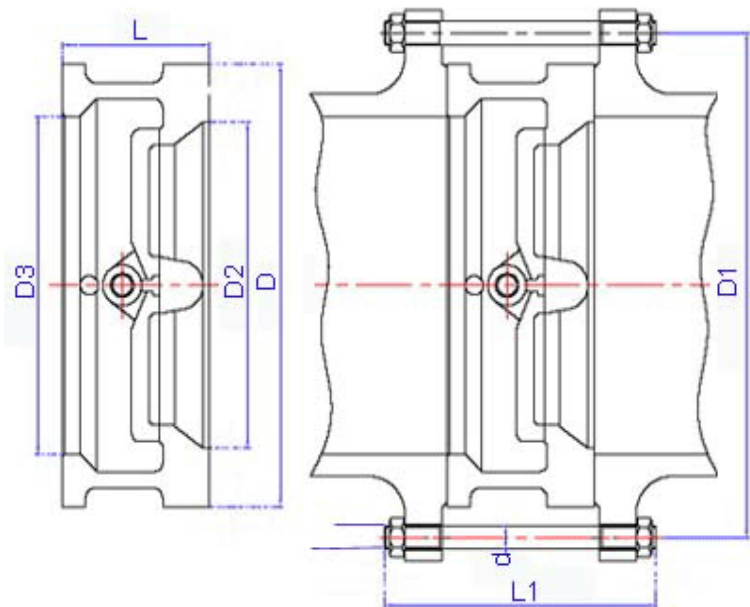
## Application

### Structural features:

- Short in face to face dimensions,small in bulk,light in weight;
- Valve discs close quickly,the pressure of the water hammer is little;
- Applicable to both vertical and horizontal pipes.Simple installation;
- Simple,impact structure and nice outline;
- Smooth channel and little fluid resistance;
- Flexible action and fine sealing;
- Prolonged service time and high reliability.

## Materials

NAME	MATERIAL (1)	MATERIAL (2)
Body	WCB	SS316
Disc	SS304	SS316
Stem	SS410	SS316
Spring	SS304	SS316
Seat	SS304	SS316





# C5000 Din Dual Plate Check Valve

Dimensions													
Ratings	Size		Dimensions (mm)				Weight (kg)	Flange Connection Dim (for reference only)					
	NPS	DN	L	D	D <sub>3</sub>	D <sub>2</sub>		D <sub>1</sub>	qty	d		L1	
										in	mm	RF	RJ
<b>Class 150 PN2.0MPa</b>	2	50	60	103	56	51	2	120.5	4	5/8	M16	140	155
	2 1/2	65	67	122	73	65	3	139.5	4	5/8	M16	150	165
	3	80	73	135	88	80	4	152.5	4	5/8	M16	160	175
	4	100	73	173	108	102	6	190.5	8	5/8	M16	170	185
	5	125	86	195	132	127	8	216.0	8	3/4	M20	190	205
	6	150	98	220	160	152	13	241.5	8	3/4	M20	205	220
	8	200	127	277	210	203	25	298.5	8	3/4	M20	240	255
	10	250	146	337	266	254	39	362.0	12	7/8	M24	270	285
	12	300	181	407	310	305	54	432.0	12	7/8	M24	310	325
	14	350	184	448	355	350	80	476.0	12	1	M27	325	340
	16	400	191	512	405	400	117	540.0	16	1	M27	340	355
	18	450	203	547	455	450	138	578.0	16	1 1/8	M30	365	380
	20	500	219	604	505	500	163	635.0	20	1 1/8	M30	385	400
	24	600	222	715	605	600	331	749.5	20	1 1/4	M33	405	420
	28	700	305	773	700	700	380	795.5	40	3/4	M20	455	-
	30	750	305	824	750	746	425	846.0	44	3/4	M20	455	-
	32	800	305	878	800	796	560	900.0	48	3/4	M20	460	-
	36	900	368	983	910	898	640	1,009.5	44	7/8	M24	540	-
42	1050	432	1142	1055	1050	960	1,171.5	48	1	M27	625	-	
48	1200	524	1302	1205	1200	1400	1,335.0	44	1 1/8	M30	740	-	
<b>Class 300 PN5.0MPa</b>	2	50	60	110	58	51	3	127.0	8	5/8	M16	155	175
	2 1/2	65	67	128	73	65	4	149.0	8	3/4	M20	175	195
	3	80	73	147	88	80	6	168.5	8	3/4	M20	190	210
	4	100	73	179	108	102	8	200.0	8	3/4	M20	195	215
	5	125	86	214	132	127	15	235.0	8	3/4	M20	215	235
	6	150	98	249	160	152	18	270.0	12	3/4	M20	230	250
	8	200	127	305	210	203	31	330.0	12	7/8	M24	280	300
	10	250	146	359	266	254	51	387.5	16	1	M27	315	335
	12	300	181	420	310	305	77	451.0	16	1 1/8	M30	365	385
	14	350	222	483	355	350	117	514.5	20	1 1/8	M30	410	430
	16	400	232	537	405	400	190	571.5	20	1 1/4	M33	435	455
	18	450	264	594	455	450	200	628.5	24	1 1/4	M33	475	535
	20	500	292	652	505	500	265	686.0	24	1 1/4	M33	510	585
	24	600	318	772	608	600	410	813.0	24	1 1/2	M39	560	-
	30	750	368	882	740	735	660	921.0	36	1 3/8	M36	650	-
	36	900	483	1044	880	873	1020	1,089.0	32	1 5/8	M42	800	-
42	1050	568	1196	1045	1035	1540	1,244.5	36	1 3/4	M45	920	-	
48	1200	629	1365	1190	1179	2260	1,416.0	40	1 7/8	M48	1010	-	