



C3000-1 Single Check Valve



Single Check Valve

Figure: C3000-1

Size : DN15-DN300

Design Standard :

Face to Face :

Flange Drilling : ANSI125/150;AS2129 Table E;ect.

Specification

Flange drilling according to ANSI125/150;

DIN2501PN10/PN16;AS2129 Table E;JIS10K ect.

Working Pressure: PN10;PN16;150LB

Materials: WCB;CF8;CF8M;CF3M ect.

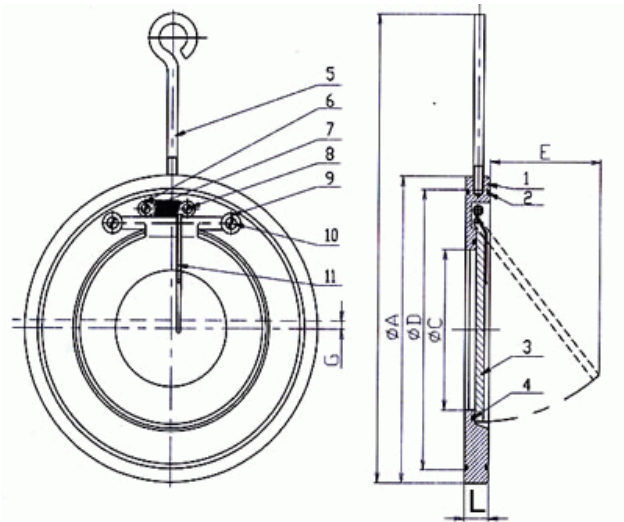
Working Temperature: -40deg.C--120 deg.C

Application

Check Valve is used for preventing the back-going of medium in pipelines and equipments, and the pressure of medium will bring the result of opening and closing automatic ally. When the medium is back-going, valve disc will automatic ally closed to avoid accidents.

Materials

NO	Part Name	NUM	Materials
1	BODY	1	WCB / SS 304/ SS 316
2	O-RING	2	NBR / EPDM
3	DISC	1	SS 304 / 316
4	O-RING	1	NBR / EPDM
5	LIFT BOLT	1	WCB / GS- C25
6	SMALL COVER	2	SS 304 / SS 316
7	SPRING SHAFT	1	SS 304 / SS 316
8	SCREW	2	WCB/ GS-C25
9	LARGE COVER	2	SS 304
10	SCREW	2	Brass / SS304 / SS 316
11	SPRING	1	SS 304 / SS316





BIAOYI

**C3000-1
Single Check Valve**

Dimensions

Size	L	C	D			E	KG
			PN10	PN16	PN25		
DN20	11.5	12	63	63	63	10.3	0.3
DN25	12	16	73	73	73	14	0.4
DN32	12	19	85	85	85	19.8	0.5
DN40	14	22	95	95	95	28	0.8
DN50	16	32	109	109	109	38	1
DN65	16	40	129	129	129	46	1.3
DN80	17	54	144	144	144	56	1.7
DN100	18	70	164	165	170	75	2.2
DN125	18	92	195	195	198	96	3.2
DN150	20	112	220	220	228	113	5
DN200	22	154	275	275	288	151	11
DN250	26	192	330	332	343	195	15
DN300	32	227	380	387	403	229	25
DN350	38	266	438	444	458	272	37
DN400	44	310	489	496	515	311	55

Size	PN10			PN16			PN25			C
	L	D	KG	L	D	KG	L	D	KG	
DN350	44	438	37	44	444	40	51	458	53	263
DN400	51	489	55	51	496	60	51	515	68	305
DN450	60	539	68	60	556	78	76	565	103	356
DN500	64	594	103	64	618	128	83	622	150	406
DN600	70	696	155	70	732	180	83	732	205	485
DN700	76	811	200	76	802	190				565
DN800	80	918	310	80	912	300				622
DN900	95	1018	550	95	1012	530				703
DN1000	127	1124	715	127	1126	720				815