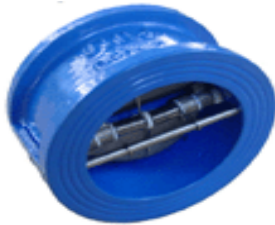




C2000 ANSI Dual Plate Wafer Type Check Valve



ANSI Dual Plate Wafer Type Check Valve

Figure: C2000

Size : DN50-DN600

Design Standard : API594

Face to Face : API594

Flange Drilling : DIN2501,BS4504,ISO2084,ISO2531,

BS10-E,ANSI125/150,ASA125/150,AS2129Table D/E,ect

Specification

Face to face according to API594 ect.

Flange drilling according to ANSI125/150;

DIN2501PN10/PN16;AS2129 Table E;JIS10K ect.

Working Pressure: PN10;PN16;150LB

Materials:ASTM A126A(B); WCB;CF8;CF8M;CF3M ect.

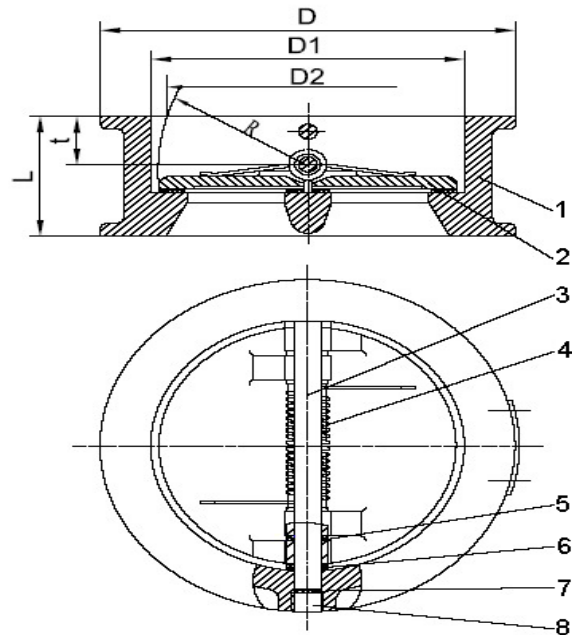
Application

Valve is used for preventing the back-going of medium in pipelines and equipments,and the pressure of medium will bring the result of opening and closing automatically.

When the medium is back-going, valve disc will automatic ally closed to avoid accidents.

Materials

NO.	NAME	MATERIAL
1	Body	GG25
2	Disc	SS316
3	Stem	SS410
4	Spring	SS304
5	Washer	PTFE
6	Washer	PTFE
7	Gasket	NBR
8	Hex nut	A193A



Dimensions

c	D	D1	D2	L	R	t
50	107	65	40	54	27	26.2
65	127	78	60	60	35	30.2
80	137	94	70	67	42	29
100	175	117	88	67	50	27.6
125	187	145	115	83	64	39.2
150	222	171	134	95	77	47
200	279	222	182	127	102.5	66.5
250	340	276	220	140	125	71.5
300	410	328	260	181	146	105.5
350	451	375	298	184.2	170	93