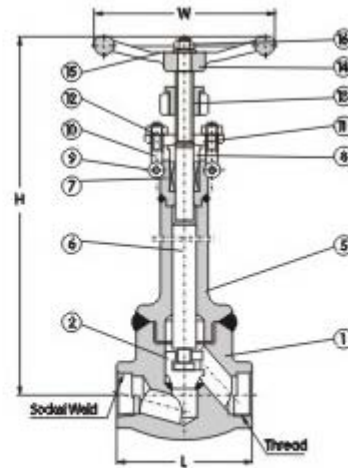


Eg.FIG.CL8C₃Y



Eg.FIG.WCL8C₃Y

Cryogenic Globe Valve 800Lb

Standard Material Specifications

NO.	Part Name	AS to ASTM		SS to ASTM	
		Type A350 LF2	Type A350 LF3	Type A182 F304	Type A182 F316(L)
1	Body	A350 LF2	A350 LF3	A182 F304(L)	A182 F316(L)
2	Disc	A276 410	A276 304(L)	A276 304(L)	A276 316(L)
3	Bonnet	A350 LF2	A350 LF3	A182 F304(L)	A182 F316(L)
4	Gasket	Corrugated SS + graphite		SS + PTFE	
5	Bold Nut	A193 B7	A193 B7	A193 B8	A193 B8M
6	Stem	A182 F6	A182 F6	A182 F304(L)	A182 F316(L)
7	Stem Packing	Flexible graphite		PTFE	
8	Gland	A276 420		A182 F304	
9	Pin	A276 420		A182 F304	
10	Gland Eyebolt	A193 B7	A193 B16	A193 B8	A193 B8M
11	Gland Flange	A216 WCB		A351 CF8	
12	Gland Nut	A194 2H	A194 4	A194 8	A194 8M
13	Yoke Nut	A276 410			
14	Hand wheel	A197			
15	Nameplate	SS			
16	H.W. Nut	A194 2H	A194 4	A194 8	A194 8M
Suitable Temperature		40	101	196	

Note: Other materials are available upon request.



Bellow Sealed Globe Valve 800Lb

Dimensions (mm) and Weights (Kg)

NPS		3/8	1/2	3/4	1	1-1/4	1-1/2	2
L		79	92	111	120	120	172	200
H(OPEN)		333	337	370	480	410	474	546
W		100	100	125	160	160	180	200
Weights	Bolted	5.2	7.2	10.9	13.5	15.2	19.8	29.0
	Welded	4.8	6.5	9.5	11.5	13.1	17.5	26.8