



B5000L Lug Type Double Offset Butterfly Valve



B5000L Lug Type Double Offset Butterfly Valve

Figure: B5000L

Size : 2"-10"

Design Standard : API 609-83

Face to Face : ANSI B16.10, DIN3202-K1, BS5155, MSS SP-67

Flange Drilling : DIN2501(DIN2534), ISO2084

Specification

Structure type: Double eccentric wafer butterfly valve

Design standard: API609-83

flange connection dimension: DIN2501

(DIN2534) ISO2084

Structure length: DIN3202-K1, BS5155, ANSI B16.10, MSS SP-67

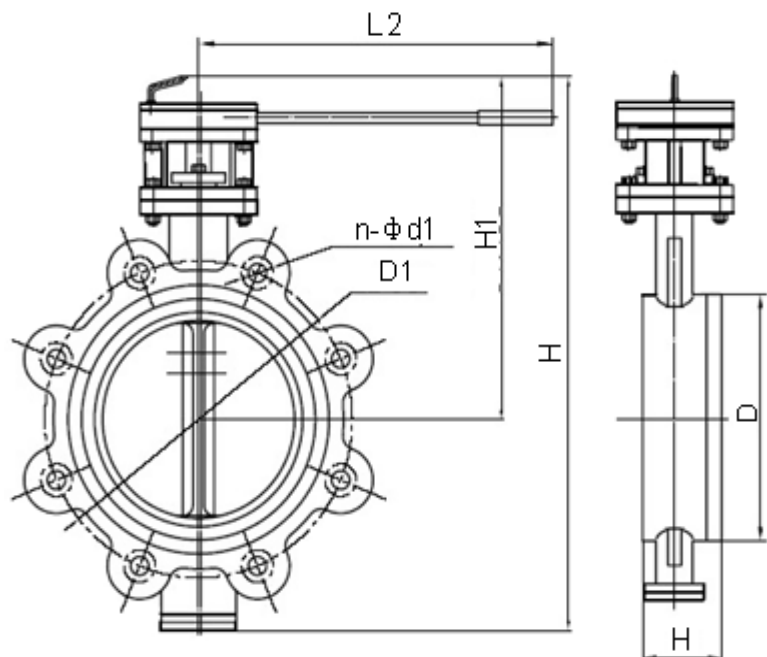
Pressure test: API 598

Application

This kind of butterfly valve is widely utilized in foodstuff, pharmacy, chemical industry etc. and industrial environmental protection, water treatment, high building, water supply and drain tubing line open or close or adjusting medium.

Materials

Body	WCB, 304, 316, 316SS, CF8M
Disc	WCB, 304, 316, 316SS, CF8M
Stem	416, 316, 2Cr13, 1Cr18Ni9Ti
Seal ring	316, Fluorine plastic
Packing	Flexible graphite, fluorine plastic



Dimensions

DIN2501 (DIN2534) ISO2084 PN25

DN	L	L2	H	H1	D1	n-φd1
50	43	265	330	250	125	4-16
65	46	265	362	267	145	4-16
80	49	265	375	275	160	8-16
100	56	320	410	295	190	8-20
125	64	320	425	305	220	8-24
150	70	340	465	320	250	8-24