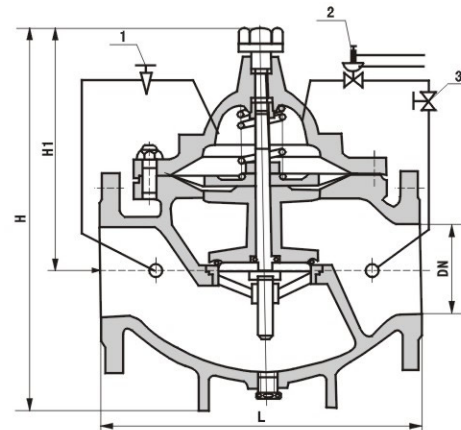


800X Pressure Difference Balance Valve

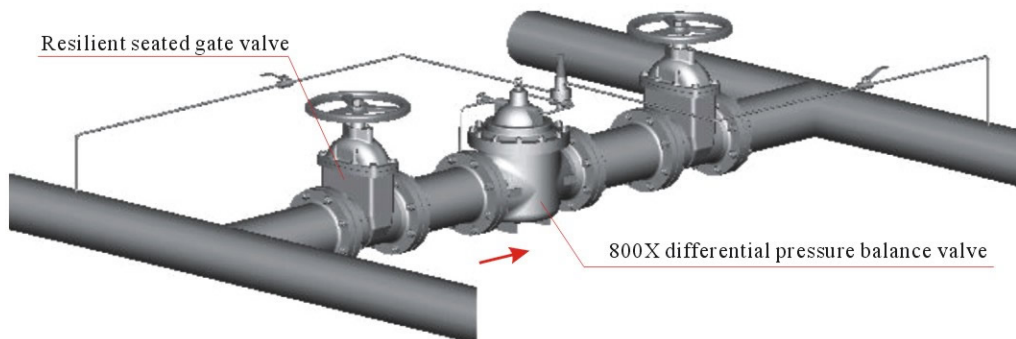
Product introduction

800X differential pressure bypass balance valve is a kind of valve used to balance the differential pressure in air conditioner system. This kind of valve improves the system's using percentage and maintain precise and stable differential pressure and at most degree low eliminate noise in the system and damage to the system due to over pressure differential. 800X differential pressure valve's most advantage is without actuator, compared with other balance valve, and it can balance the system by medium's own differential pressure and thus save energy and installation space. It is a kind of intelligent valve.



1 needle valve 2 pilot valve 3 ball valve

Installation diagram



													Unit: mm
Main dimension	DN	50	65	80	100	125	150	200	250	300	350	400	450
	L	203	216	241	292	330	356	495	622	698	787	914	978
	H ₁	160	180	200	270	310	320	370	430	480	525	580	635
	H	610	625	642	750	808	864	1135	1185	1325	1385	1445	1445