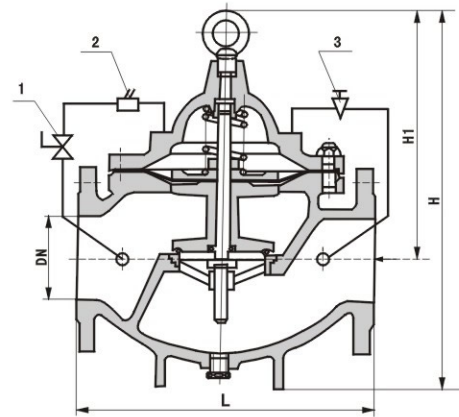


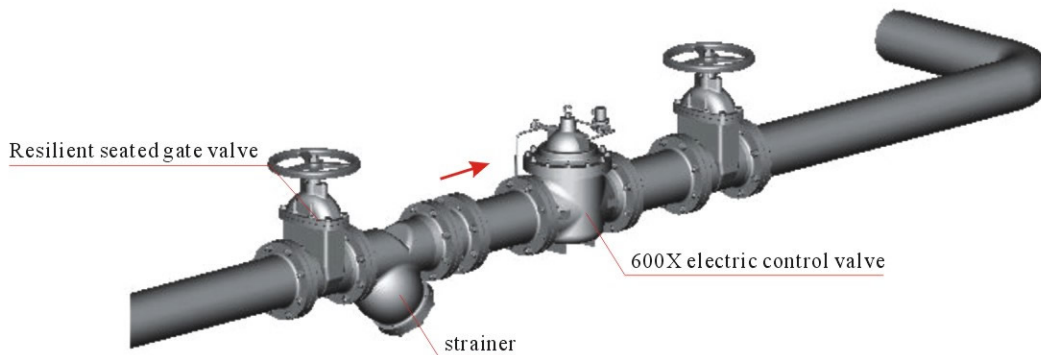
600X Electrical Control Valve

Product introduction 600X electric valve is a kind of self-acting valve with electric-magnetic valve as pilot valve. It is used in automatic control of feeding system and industrial system and it's control reaction is quick and precise. It opens or closes pipeline system according to the electric signal to reach remote control operation. It can be used in large-scale electric operation system instead of gate valve and butterfly valve. It's close speed is adjustable and it can close stably without any pressure fluctuation. It is of little volume and of little weight and of easy maintenance and of easy using and of reliability. Electric-magnetic valve is of AC 220V or DC 24V. It can be normally open or normally close according to the site condition.



1 little ball valve 2 electric-magnetic valve 3 needle valve

Installation diagram



Unit: mm

Main dimension	DN	20	25	32	40	50	65	80	100	125	150	200	250	300	350	400	450
L		150	160	180	200	203	216	241	292	330	356	495	622	698	787	914	978
H ₁		269	269	269	300	300	288	310	340	380	410	440	460	480	516	560	560
H		342	342	342	395	395	385	420	500	540	575	665	720	750	830	900	900