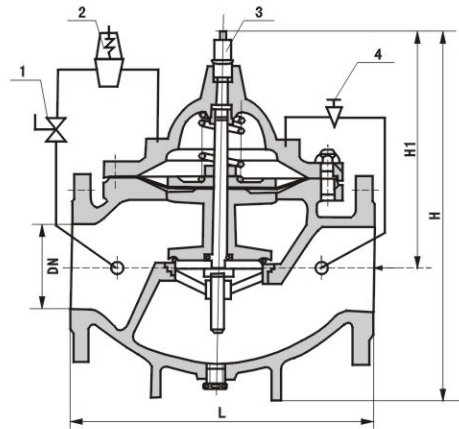


400X Flow control valve

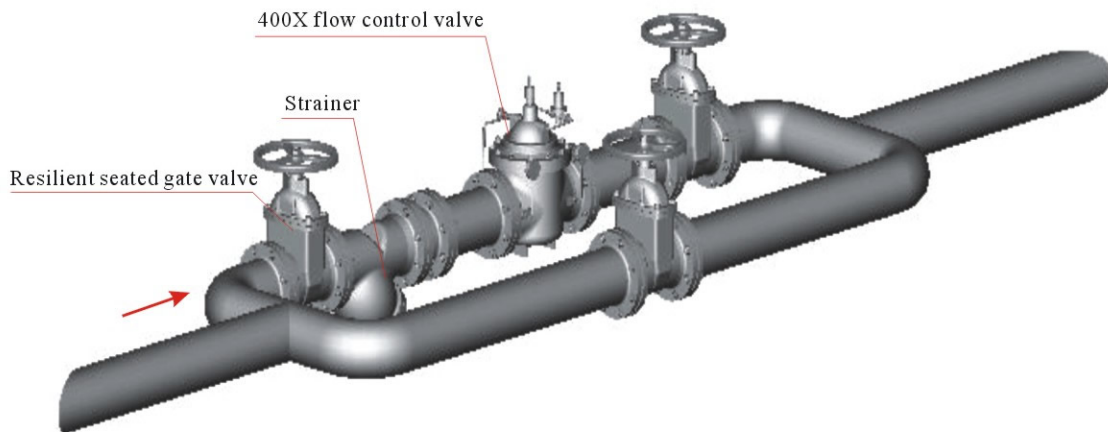
Product introduction

400X flow control valve is a kind of multifunctional valve, using advanced pilot method to control flow rate of fluid. It is used in the pipeline whose flow rate and pressure need to keep stable and keep the flow rate stable and limit the over large flow rate to the preset flow rate value and reduce the upstream pressure, and even the upstream pressure of the main valve change, the flow rate in the downstream do not change. This kind of valve is different general throttle valve that reduce flow area to control flow rate, it uses related pilot valve to reduce energy loss when throttling. In emergency 400X flow control valve can shut off the fluid and avoid loss. It's sensibility is very high and it is very safe and reliable and it's life is very long and it is very easy to maintain.



1 little ball valve 2 pilot valve 3 flow adjustor 4 needle valve

Installation diagram



Unit: mm

Main dimension	DN	20	25	32	40	50	65	80	100	125	150	200	250	300	350	400	450
L		150	160	180	200	203	216	241	292	330	356	495	622	698	787	914	978
H ₁		247	247	247	278	278	298	313	350	365	420	450	470	490	526	570	570
H		342	342	342	395	395	405	430	510	560	585	675	730	760	840	910	910