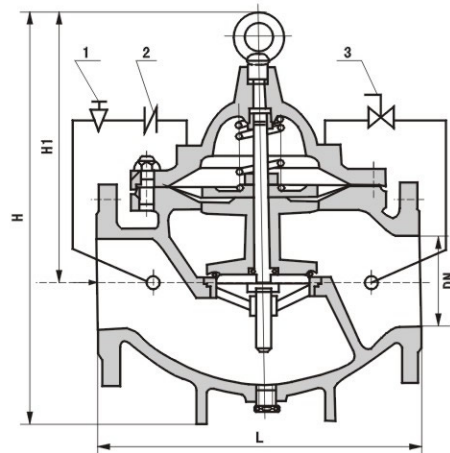


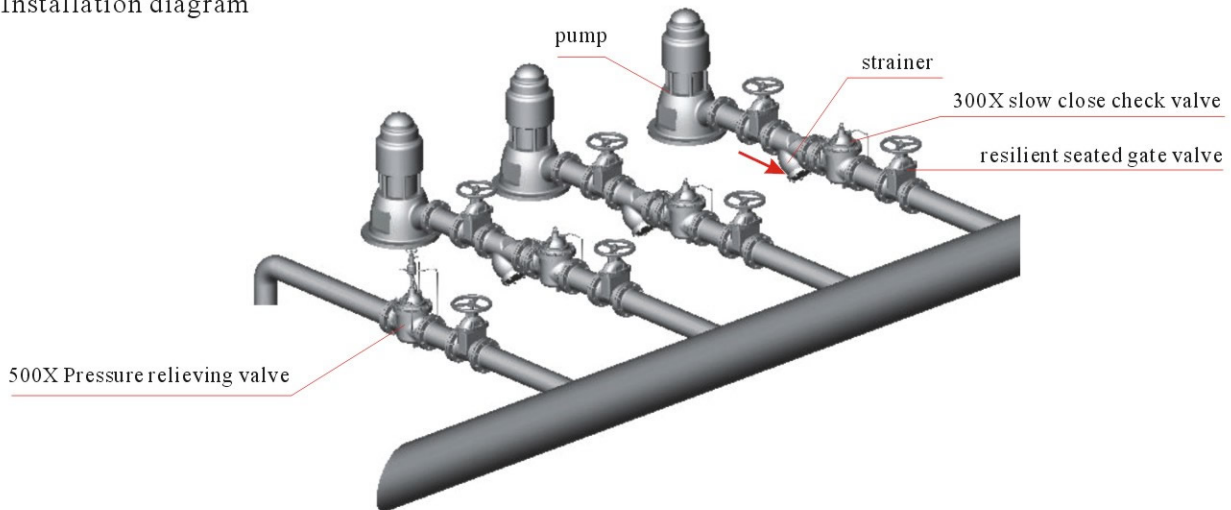
# 300X slow close check valve

**Product introduction** 300X slow close check valve is a kind of intelligent valve, installed at the outlet of pump in high building's feeding system and other feeding system to prevent the fluid flowing backwards, water-hammering and water-hitting. This kind of valve has the function of electric valve, non return valve and water-hammering eliminator and improves the safety of feeding system. It has the principal of slow-open, quick-close and slow-close into one to prevent water-hammering when start or stop pump. Just operate the pushing button for the pump motor and the valve can automatically open or close according to the operating procedure with little pressure loss and large flow rate. It is suitable for DN600mm or less pipeline.



1 needle valve 2 check valve 3 little ball valve

## Installation diagram



unit: mm

Main dimension	DN	20	25	32	40	50	65	80	100	125	150	200	250	300	350	400	450
L		150	160	180	200	203	216	241	292	330	356	495	622	698	787	914	978
H <sub>1</sub>		106	106	106	137	137	145	178	232	286	318	413	502	600	638	677	677
H		172	172	172	225	225	270	289	375	420	570	722	769	906	1025	1027	1027