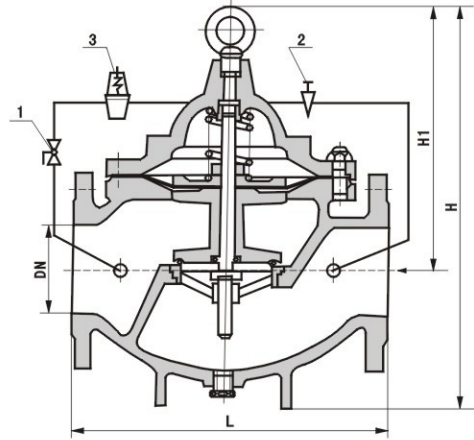


# 200X pressure reducing valve

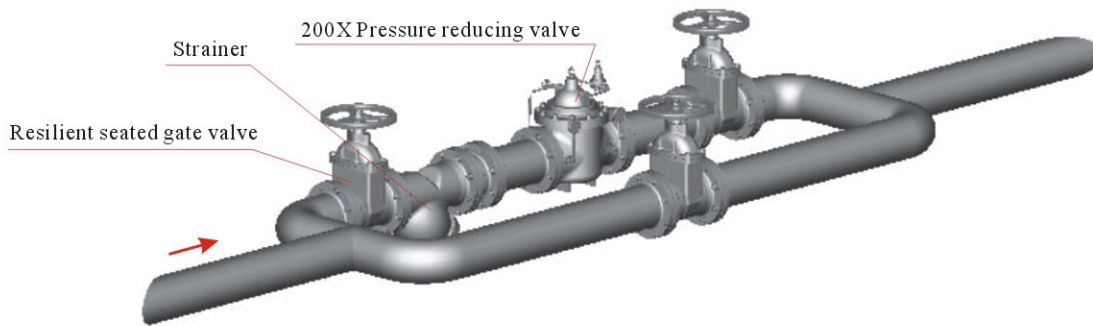
**Product introduction**

200X pressure reducing valve is a kind of intelligent valve that can adjust the pressure in the pipeline by the medium's own energy. 200X pressure reducing valve is widely used in civil feeding system, fire protection and other industrial feeding system. By adjusting the pressure reducing pilot valve, can adjust the outlet pressure of main valve. The outlet pressure do not change as the inlet pressure and inlet flow rate change, so can assure the outlet pressure is same as the setting pressure and can adjust the setting pressure to reduce pressure. This kind of valve can reduce pressure precisely and it's performance is stable and it is very reliable and it's working life is very long. It is easy to install this kind of valve.



1 float pilot valve 2 ball valve 3 needle valve

**Installation diagram**



		Unit: mm															
Main dimension	DN	20	25	32	40	50	65	80	100	125	150	200	250	300	350	400	450
	L	150	160	180	200	203	216	241	292	330	356	495	622	698	787	914	978
	H <sub>1</sub>	179	179	179	210	210	215	245	305	365	415	510	560	658	696	735	735
	H	342	342	342	395	395	405	430	510	560	585	675	730	760	840	910	910