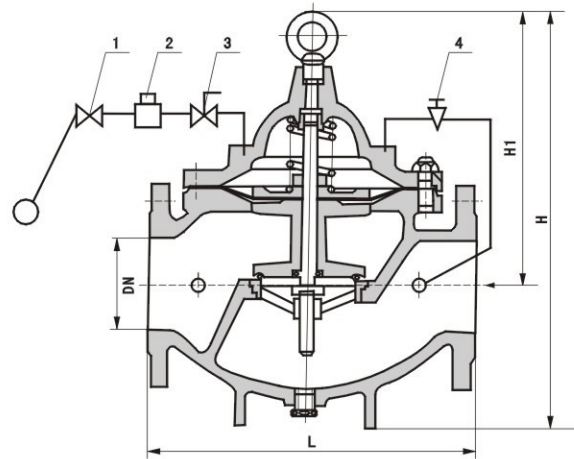


106X electric-magnetic remote control float valve

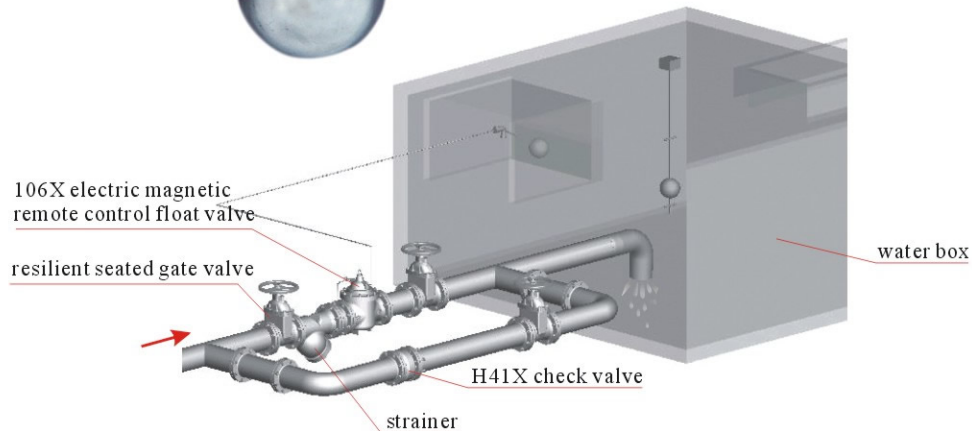
Product introduction

106X electric-magnetic remote control float valve is with normally open (normally close) electric-magnetic control equipment based on 100X remote control float valve. So even if there is no electric power or the float could not work, it can assure the water level is not beyond the setting level, and the electric float valve can preset the on/off water level to solve the problem of main valve's frequency opening/closing. This kind of valve is widely used in high building, feeding system, fire protection, at the inlet of water pool and water tower of enterprises.



1 float pilot valve 2 electric-magnetic valve 3 ball valve needle valve

Installation diagram



Unit: mm

Main dimension	DN	20	25	32	40	50	65	80	100	125	150	200	250	300	350	400	450
L		150	160	180	200	203	216	241	292	330	356	495	622	698	787	914	978
H ₁		179	179	179	210	210	215	245	305	365	415	510	560	658	696	735	735
H		212	212	212	265	265	310	350	460	520	570	840	890	1030	1090	1150	1150